

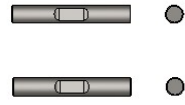


www.MIPonline.com

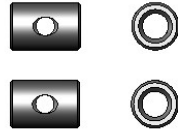
MIP X-Duty™ Instruction Guide



8-32 Setscrew (x4)
#00-209



Cross Pin (x4)
#18100



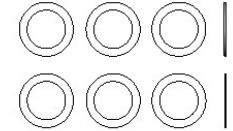
Coupling (x4)
#18100



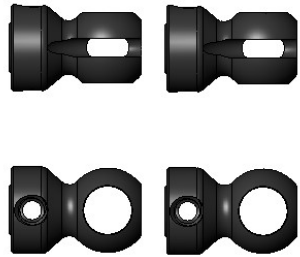
M4 Pin Screw (x4)
#99120



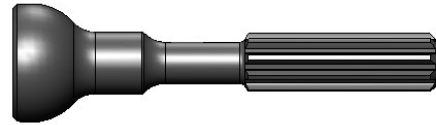
1mm Spacer (x4)
#20050



.25mm Spacer (x8)
#20050



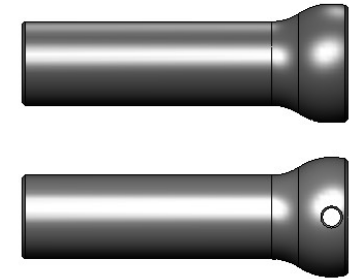
Drive Hub,
13mm (x4)
#18111



X-Duty Male,
54mm (x1)
#18103



X-Duty Male,
102mm (x1)
#18107



X-Duty Female,
40mm (x2)
#18101



Apply MIP
Thread Lock



WARNING!!!
Chemicals in tubes
may cause eye/skin
irritation and can be
harmful if
swallowed. If it
comes in contact
with skin, wash with
plenty of soap and
water. If in eyes;
Rinse with water for
fifteen minutes. If
irritation persists get
medical advice.

For more information
& SDS please visit:
www.miponline.com/store/sds.html



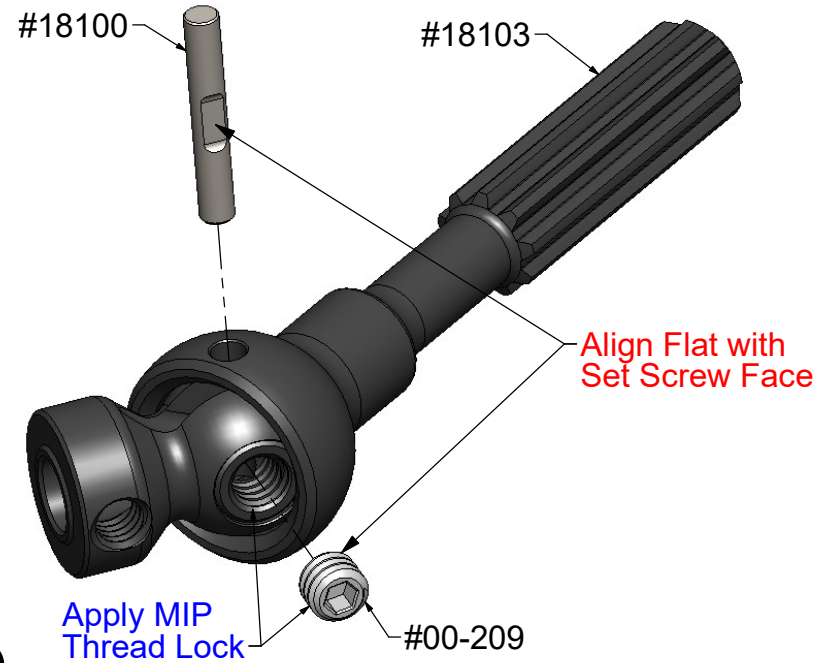
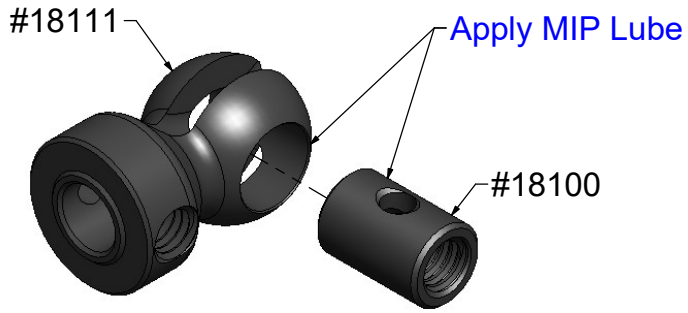
Apply MIP Lube

© 2020
Moore's Ideal Products, LLC
830 W. Golden Grove Way
Covina, CA 91722

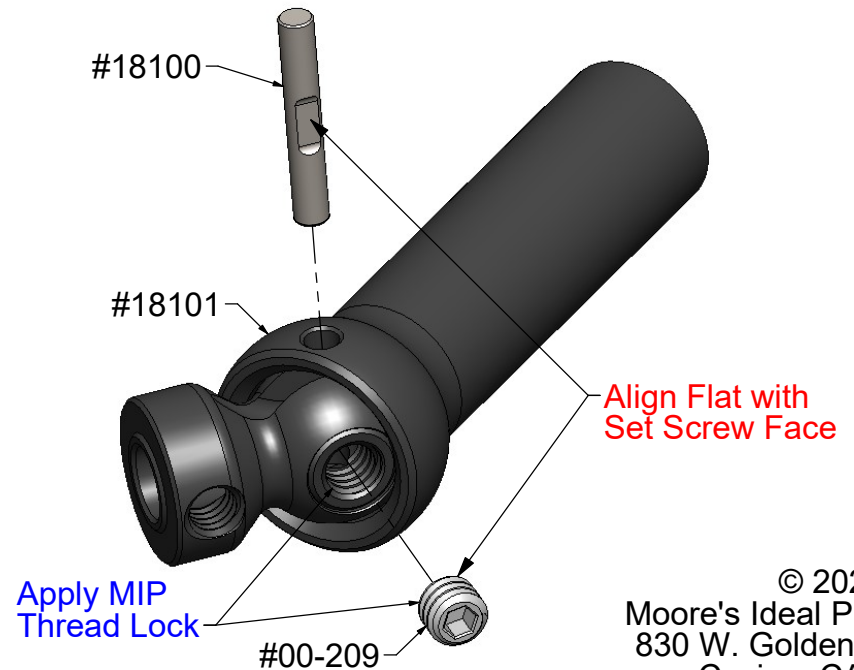
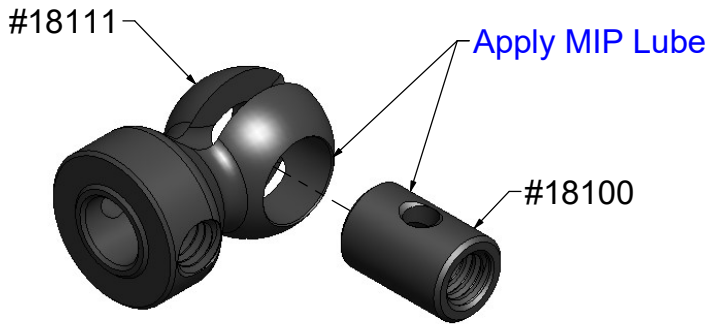


www.MIPonline.com

MIP X-Duty™ Instruction Guide



Front Drive

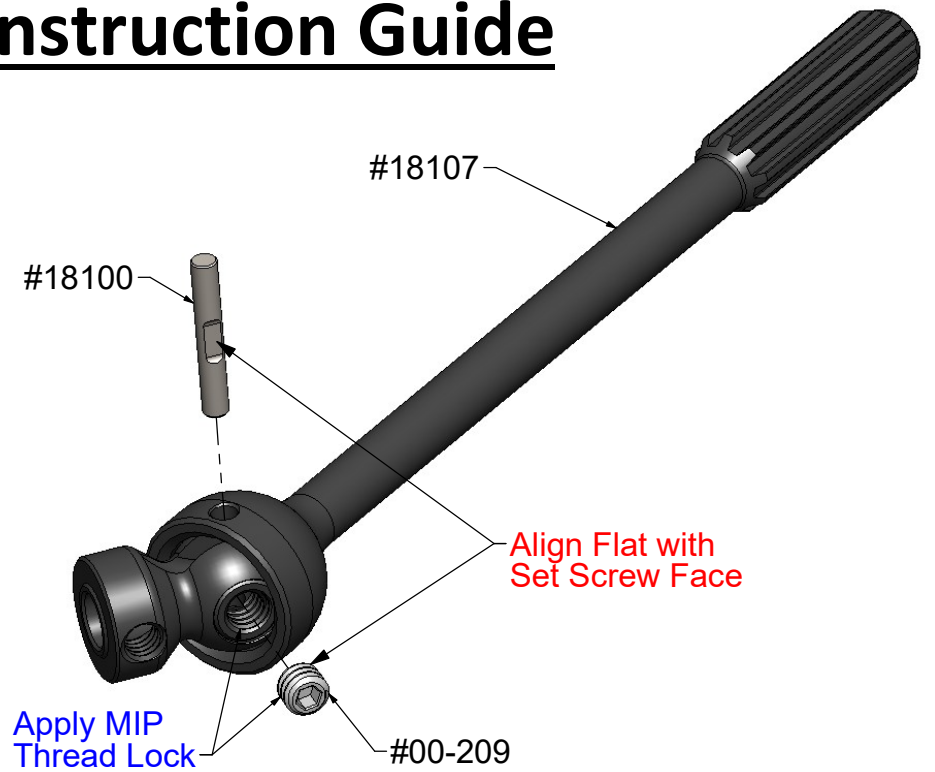
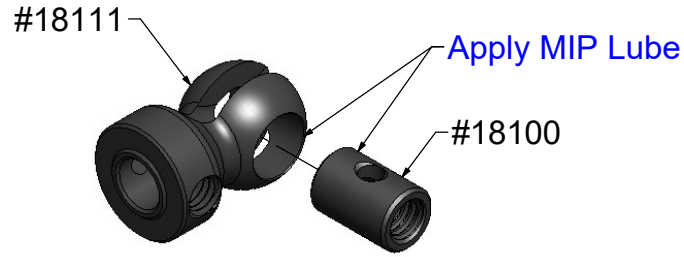


© 2020
 Moore's Ideal Products, LLC
 830 W. Golden Grove Way
 Covina, CA 91722

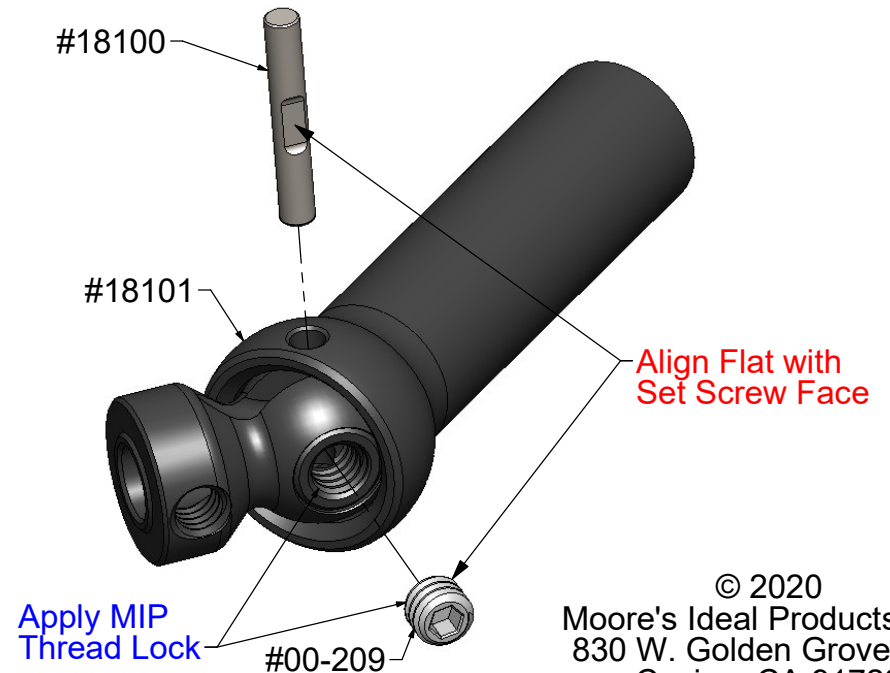
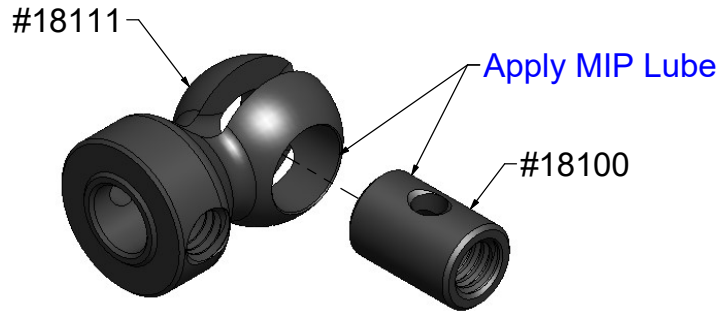


www.MIPonline.com

MIP X-Duty™ Instruction Guide



Rear Drive

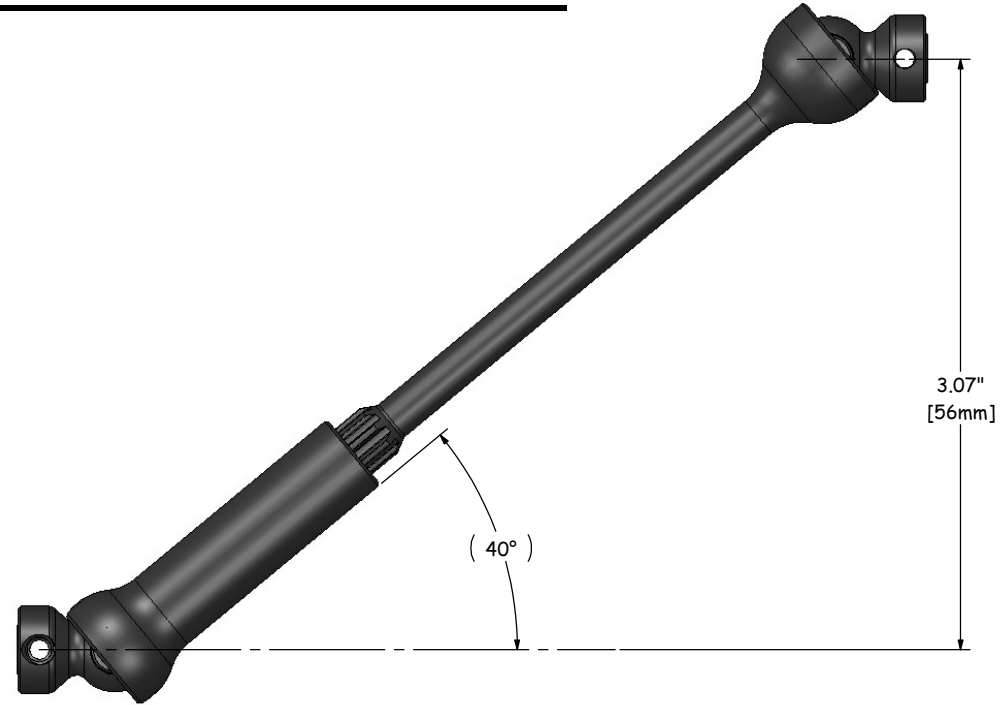
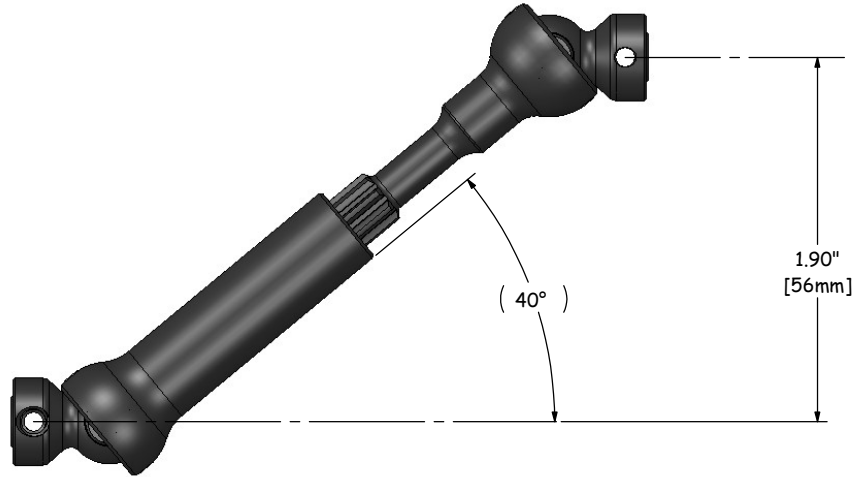


© 2020
 Moore's Ideal Products, LLC
 830 W. Golden Grove Way
 Covina, CA 91722

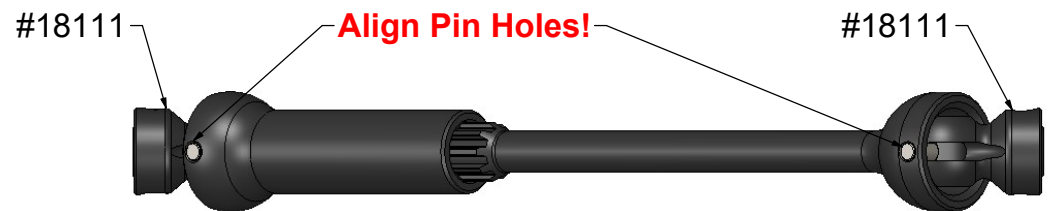


www.MIPonline.com

MIP X-Duty™ Instruction Guide



Front Drive Assembled

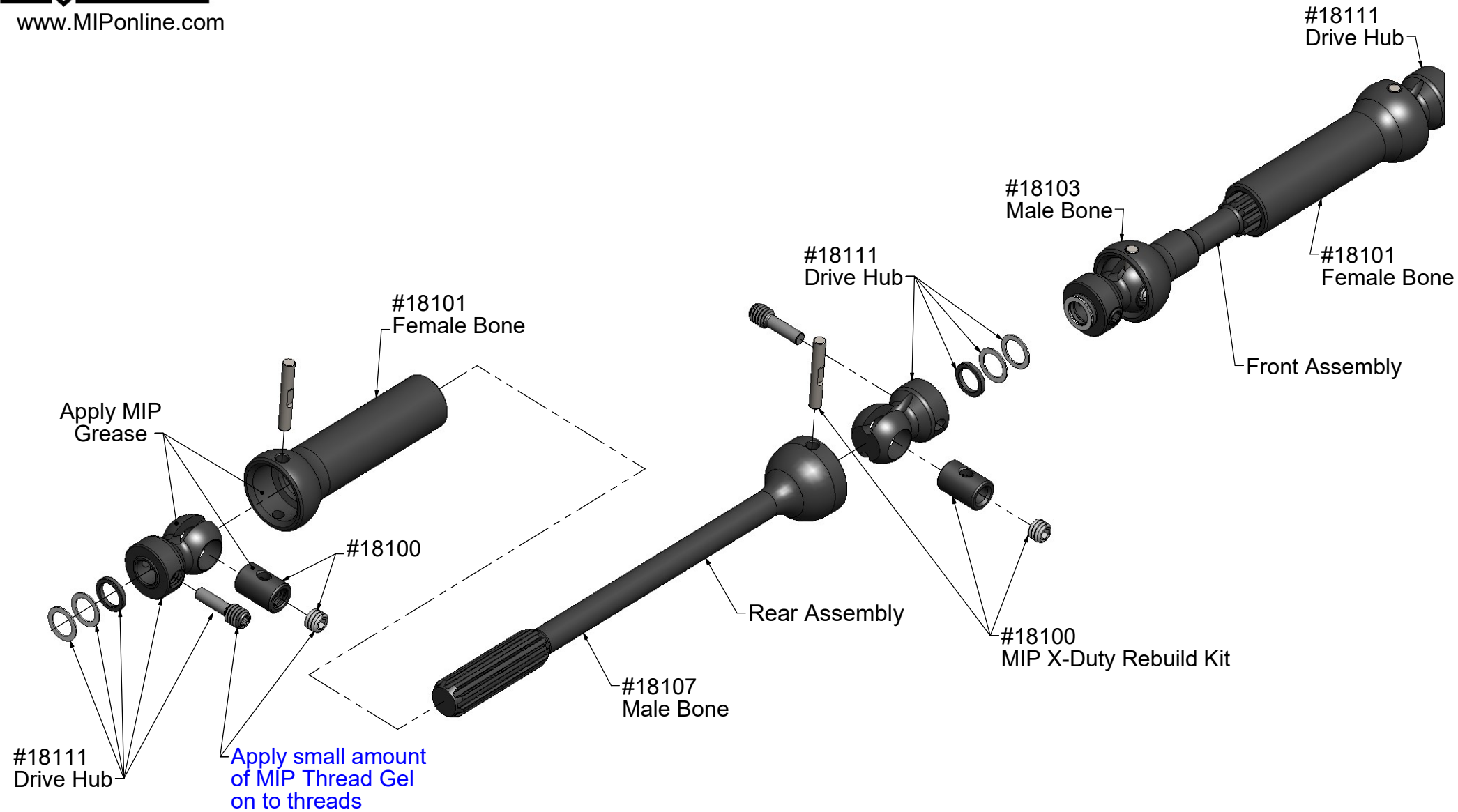


Rear Drive Assembled



www.MIPonline.com

MIP X-Duty™ Instruction Guide



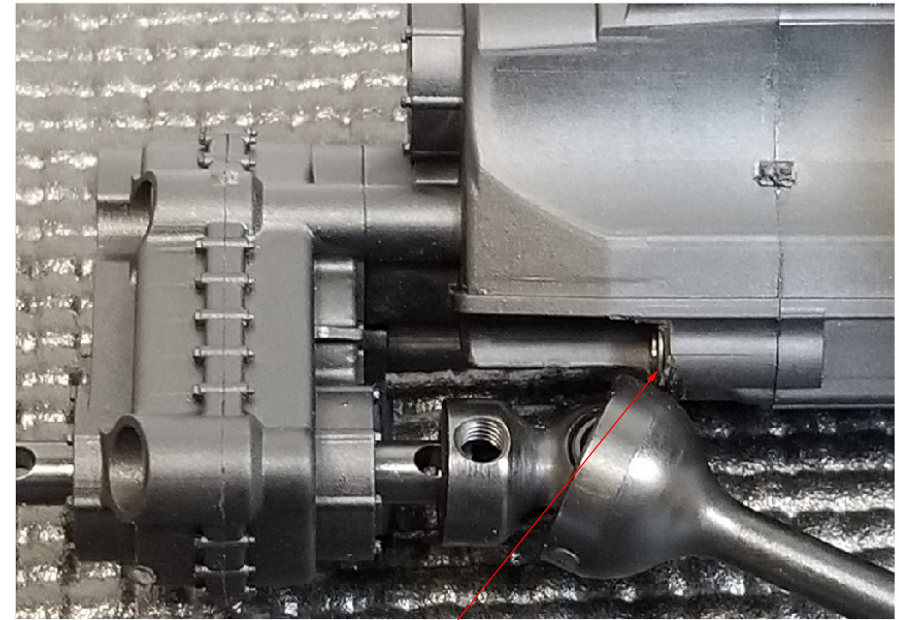
Front & Rear Drive Installation

© 2020
Moore's Ideal Products, LLC
830 W. Golden Grove Way
Covina, CA 91722



www.MIPonline.com

MIP X-Duty™ Instruction Guide



You will need to trim the gearbox using a rotary tool before the drives can be installed!

Special Notes!