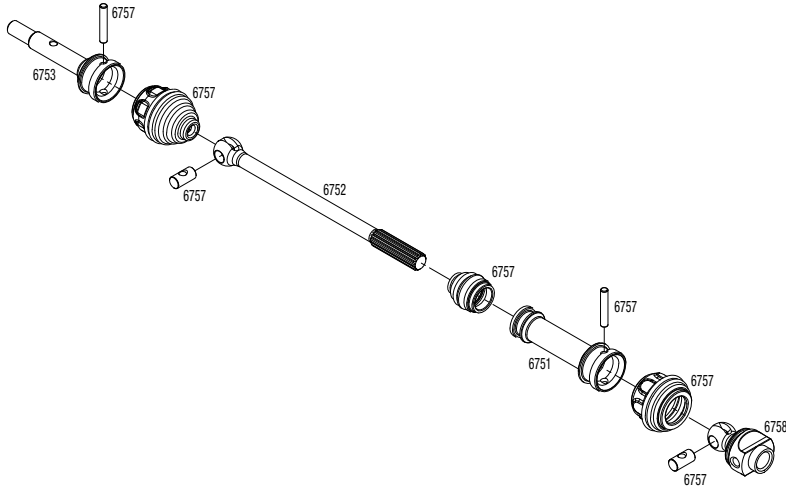




Metal Driveshaft Installation

Covers Part #1951R

Driveshaft Assembly



6751	Half shaft, external splined (steel-spline constant-velocity) (1).....	\$6.00
6752	Half shaft, external splined (steel-spline constant-velocity) (1).....	\$8.00
6753	Stub axle, rear, steel-splined constant-velocity (1).....	\$7.50
6757	Rebuild kit, steel-splined constant-velocity driveshafts (includes pins, dustboots, lube, and hardware).....	\$18.00
6758	Differential output shaft (for steel constant-velocity driveshafts) (2).....	\$10.00

If you have questions or need technical assistance, call Traxxas at

1-888-TRAXXAS

(1-888-872-9927) (U.S. residents only)

TRAXXAS.com

Traxxas, 1100 Klein Road, Plano, TX 75074, Phone: 972-265-8000, Fax: 972-265-8011, E-mail: support@Traxxas.com